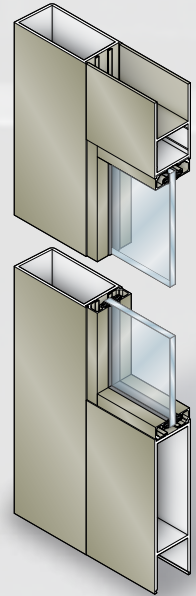


ENTRANCES

SERIES 250, 400 & 550 DOORS



- For 1/4 " or 1" (6 or 25 mm) Glazing
- Lifetime Warranty on Corner Construction
- Mechanically Fastened and Welded Corners
- Narrow, Medium, and Wide Stiles
- Adjustable Weatherstrip Astragal at Meeting Stiles
- Accommodates Most Custom Hardware
- Standard 1" (25 mm) Diameter Solid Push/Pulls



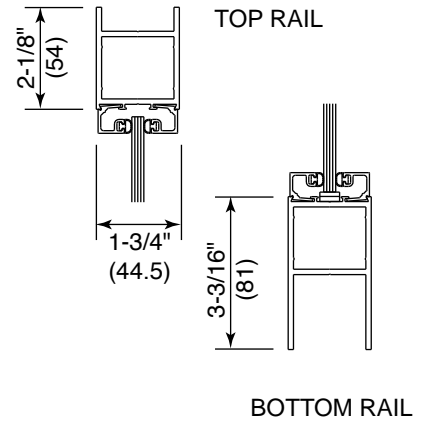
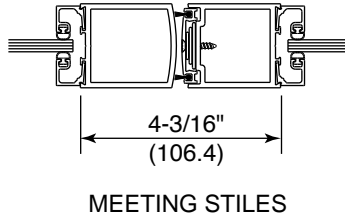
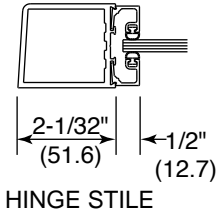
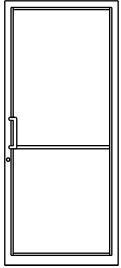
Our Entrance Doors are consistently built to the highest industry standards, ensuring years of reliable service. All doors are supplied with push/pull hardware, maximum security locks, and easily accommodate a wide variety of custom hardware for specific job requirements.

SERIES 250, 400 & 550 ENTRANCE DOORS

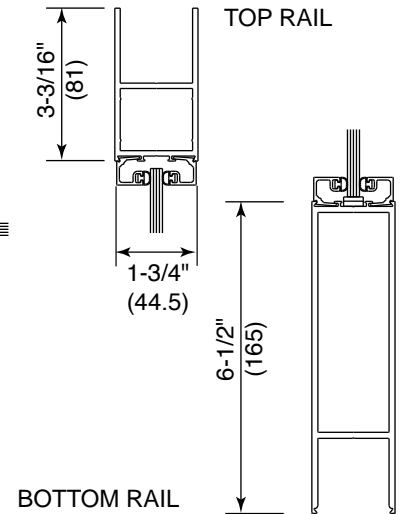
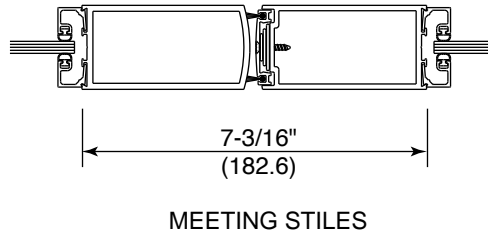
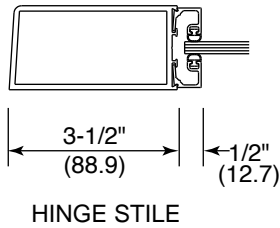
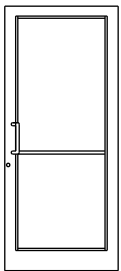
TYPICAL DETAILS

SERIES 250

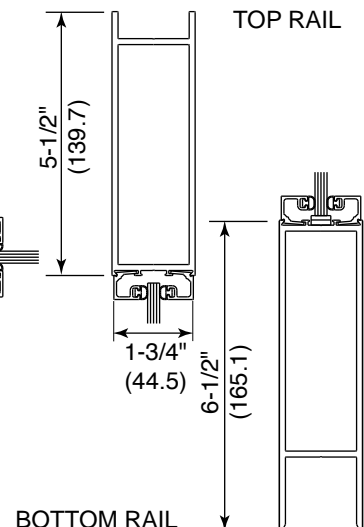
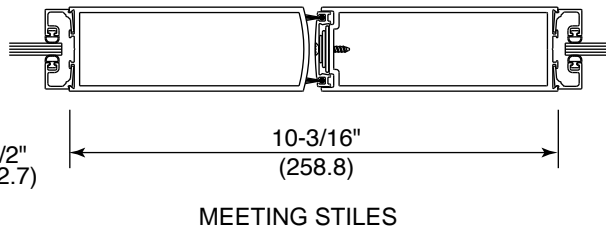
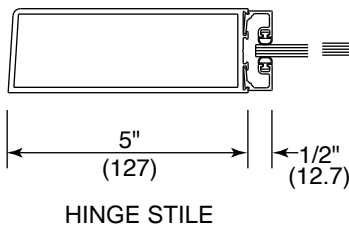
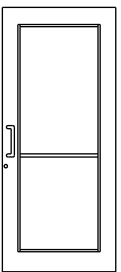
A complete set of details in AutoCAD format is available at usalum.com



SERIES 400



SERIES 550



NOT TO SCALE